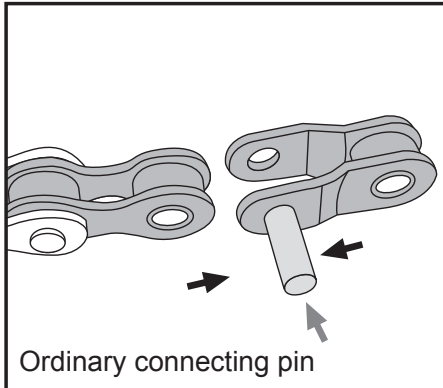


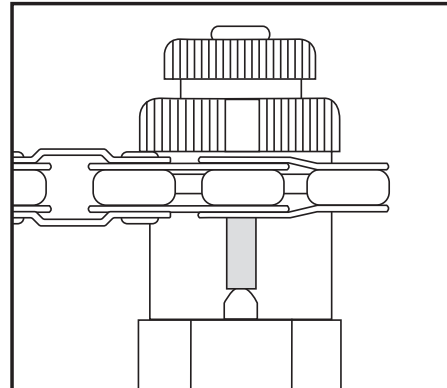
Half Link Guide



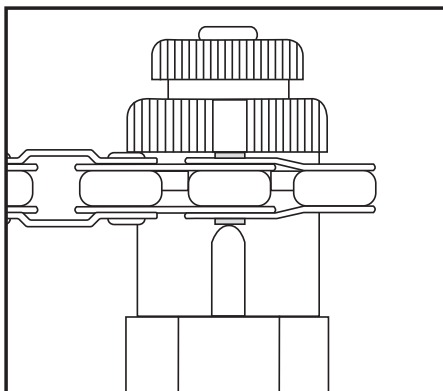
How to Install Half Link



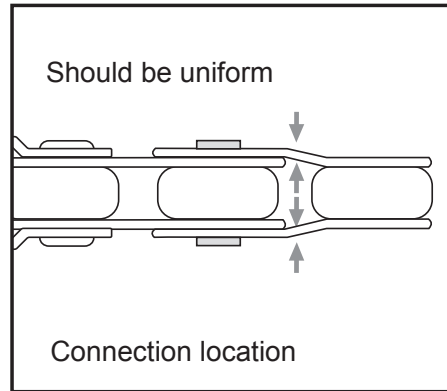
Step 1 : Connect the ends together.



Step 2 : Use Chain tool to pressure the pin in.



Step 3 : Make sure the pin is not over pushed. Pressure the pin in.



Step 4 : Be sure to check the connecting pin protrudes pin protrudes uniformly from both sides of chain the chain has been joined.

 Not following these instructions may cause chain failure, possibly resulting in serious injury or damage.

BICYCLE CHAIN

WWW.KMCCHAIN.US