

Installation Guide

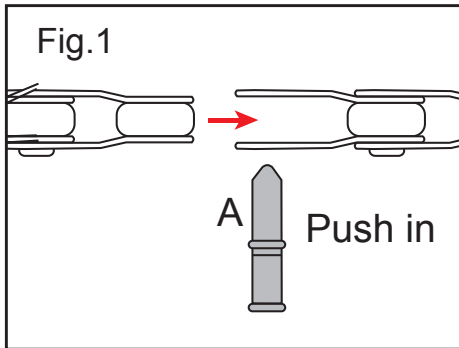


How to Install Bullet Pin

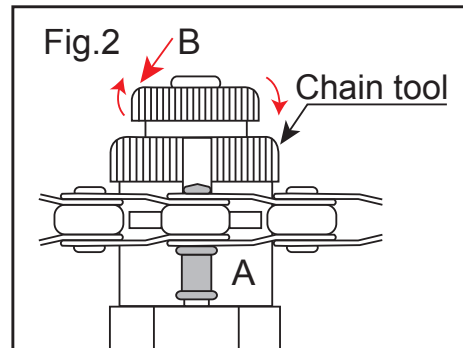
Kool Knight "Bullet Pin" Connector

A : Special connecting pin

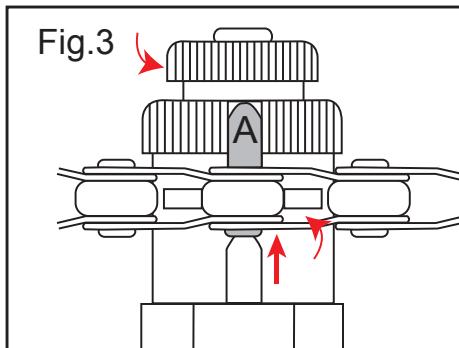
B : Adjustment nut



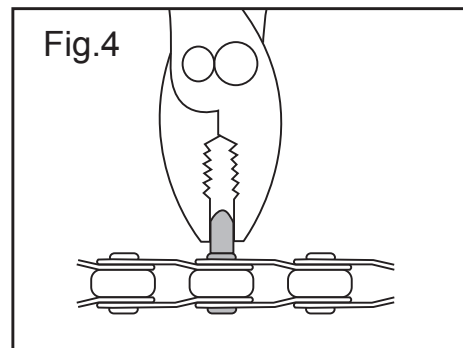
Step 1 : Connect both ends of the chain with the special connecting pin.(Fig.1)



Step 2 : Put the chain on the Chain tool and tighten the adjustment nut.(Fig.2)




Step 3 : Use a Chain tool and turn the rotating bar to advance the special connecting pin into the chain. Next, loosen the adjustment nut and remove the chain. (Fig.3)



Step 4 : Use pliers to break off the excess part. (Fig.4)

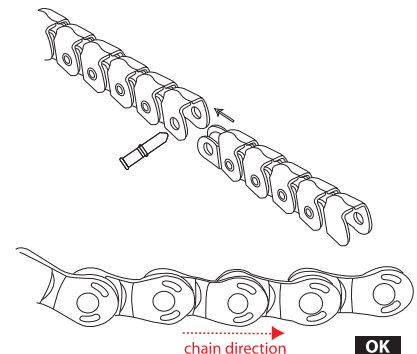
CAUTION :

Be sure to check that the connecting pin protrudes uniformly from both sides of the chain after the chain has been joined.

 Do not re-use chain pins after pin removal. Reconnect chain using a proper KMC connecting link.



For your own safety, do not reuse chain pins after pin removal. Please reconnect chain using a KMC connecting link.



BICYCLE CHAIN

WWW.KMCCHAIN.US